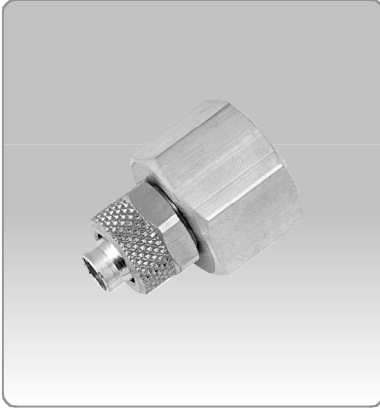


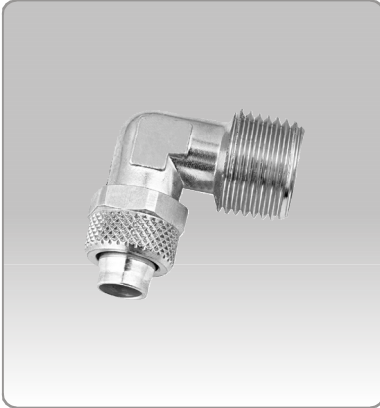
RPC- Rekor Bağlantı / Male Connector

Ölçü Tablosu / Dimension Chart

MODEL	Hortum (Dış çap) Tube (O.D.) (mm)	Bağlantı Dişi (G) Thread (BSPP)	MODEL	Hortum (Dış çap) Tube (O.D.) (mm)	Bağlantı Dişi (G) Thread (BSPP)
RPC-5/3-G01	5/3	G1/8	RPC-10/8-G04	10/8	G1/2
RPC-6/4-G01	6/4	G1/8	RPC-12/10-G03	10/8	G3/8
RPC-6/4-G02	6/4	G1/4	RPC-12/10-G04	10/8	G1/2
RPC-6/4-G03	6/4	G3/8			
RPC-8/6-G01	8/6	G1/8			
RPC-8/6-G02	8/6	G1/4			
RPC-8/6-G03	8/6	G3/8			
RPC-10/8-G01	10/8	G1/8			
RPC-10/8-G02	10/8	G1/4			
RPC-10/8-G03	10/8	G3/8			

RPCF-Dişi Rekor Bağlantı / Female Connector

Ölçü Tablosu / Dimension Chart

MODEL	Hortum (Dış çap) Tube (O.D.) (mm)	Bağlantı Dişi (G) Thread (BSPP)	MODEL	Hortum (Dış çap) Tube (O.D.) (mm)	Bağlantı Dişi (G) Thread (BSPP)
RPCF-5/3-G01	5/3	G1/8	RPCF-10/8-G04	10/8	G1/2
RPCF-6/4-G01	6/4	G1/8	RPCF-12/10-G03	12/10	G3/8
RPCF-6/4-G02	6/4	G1/4	RPCF-12/10-G04	12/10	G1/2
RPCF-6/4-G03	6/4	G3/8			
RPCF-8/6-G01	8/6	G1/8			
RPCF-8/6-G02	8/6	G1/4			
RPCF-8/6-G03	8/6	G3/8			
RPCF-10/8-G01	10/8	G1/8			
RPCF-10/8-G02	10/8	G1/4			
RPCF-10/8-G03	10/8	G3/8			

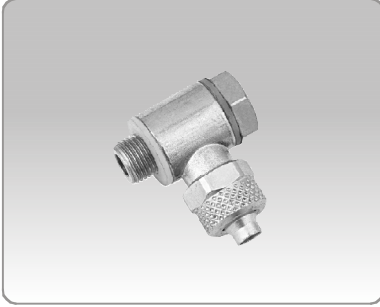
RPL - Dirsek Bağlantı / Elbow

Ölçü Tablosu / Dimension Chart

MODEL	Hortum (Dış çap) Tube (O.D.) (mm)	Bağlantı Dişi (G) Thread (BSPP)	MODEL	Hortum (Dış çap) Tube (O.D.) (mm)	Bağlantı Dişi (G) Thread (BSPP)
RPL-5/3-G01	5/3	G1/8	RPL-10/8-G04	10/8	G1/2
RPL-6/4-G01	6/4	G1/8	RPL-12/10-G03	12/10	G3/8
RPL-6/4-G02	6/4	G1/4	RPL-12/10-G04	12/10	G1/2
RPL-6/4-G03	6/4	G3/8			
RPL-8/6-G01	8/6	G1/8			
RPL-8/6-G02	8/6	G1/4			
RPL-8/6-G03	8/6	G3/8			
RPL-10/8-G01	10/8	G1/8			
RPL-10/8-G02	10/8	G1/4			
RPL-10/8-G03	10/8	G3/8			

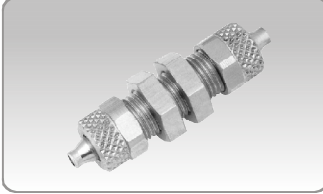
RPST - Yan Bacak Te / Swivel Tee

Ölçü Tablosu / Dimension Chart

MODEL	Hortum (Dış çap) Tube (O.D.) (mm)	Bağlantı Dişi (G) Thread (BSPP)	MODEL	Hortum (Dış çap) Tube (O.D.) (mm)	Bağlantı Dişi (G) Thread (BSPP)
RPST-5/3-G10	5/3	G1/8	RPST-10/8-G04	10/8	G1/2
RPST-6/4-G01	6/4	G1/8	RPST-12/10-G03	12/10	G3/8
RPST-6/4-G02	6/4	G1/4	RPST-12/10-G04	12/10	G1/2
RPST-6/4-G03	6/4	G3/8			
RPST-8/6-G01	8/6	G1/8			
RPST-8/6-G02	8/6	G1/4			
RPST-8/6-G03	8/6	G3/8			
RPST-10/8-G01	10/8	G1/8			
RPST-10/8-G02	10/8	G1/4			
RPST-10/8-G03	10/8	G3/8			

RPH - Kısa Döner Dirsek / Short Swivel Elbow

Ölçü Tablosu / Dimension Chart

MODEL	Hortum (Dış çap) Tube (O.D.) (mm)	Bağlantı Dişi (G) Thread (BSPP)	MODEL	Hortum (Dış çap) Tube (O.D.) (mm)	Bağlantı Dişi (G) Thread (BSPP)
RPH-5/3-G01	5/3	G1/8	RPH-10/8-G04	10/8	G1/2
RPH-6/4-G01	6/4	G1/8	RPH-12/10-G03	12/10	G3/8
RPH-6/4-G02	6/4	G1/4	RPH-12/10-G04	12/10	G1/2
RPH-6/4-G03	6/4	G3/8			
RPH-8/6-G01	8/6	G1/8			
RPH-8/6-G02	8/6	G1/4			
RPH-8/6-G03	8/6	G3/8			
RPH-10/8-G01	10/8	G1/8			
RPH-10/8-G02	10/8	G1/4			
RPH-10/8-G03	10/8	G3/8			

RPM - Perde Geçiş Nipeli / Bulkhead Union

Ölçü Tablosu / Dimension Chart

MODEL	Hortum (Dış çap) Tube (O.D.) (mm)
RPM-5/3	5/3
RPM-6/4	6/4
RPM-8/6	8/6
RPM-10/8	10/8
RPM-12/10	12/10

RPUC - Nipel Bağlantı / Union Straight

Ölçü Tablosu / Dimension Chart

MODEL	Hortum (Dış çap) Tube (O.D.) (mm)
RPUC-5/3	5/3
RPUC-6/4	6/4
RPUC-8/6	8/6
RPUC-10/8	10/8
RPUC-12/10	12/10

RPUT- Te Bağlantı / Union Tee

Ölçü Tablosu / Dimension Chart

MODEL	Hortum (Dış çap) / Tube (O.D.) (mm)
RPUT-5/3	5/3
RPUT-6/4	6/4
RPUT-8/6	8/6
RPUT-10/8	10/8
RPUT-12/10	12/10

Susturucular / Silencers
BSL - Sinter Susturucu / Sinter Silencer

Ölçü Tablosu / Dimension Chart

MODEL	Bağlantı Dişi (G) Thread (BSPP)
BSL-M5	M 5
BSL-01	G 1/8
BSL-02	G 1/4
BSL-03	G 3/8
BSL-04	G 1/2
BSL-06	G 3/4
BSL-08	G 1

BSLM - Tapa Susturucu / Plug Silencer

Ölçü Tablosu / Dimension Chart

MODEL	Bağlantı Dişi (G) Thread (BSPP)
BSLM-M5	M 5
BSLM-01	G 1/8
BSLM-02	G 1/4
BSLM-03	G 3/8
BSLM-04	G 1/2
BSLM-06	G 3/4
BSLM-08	G 1

ISD - Hız Ayarlı Susturucu / Speed Controller Silencer

Ölçü Tablosu / Dimension Chart

MODEL	Bağlantı Dişi (G) Thread (BSPP)
ISD-M5	M 5
ISD-01	G 1/8
ISD-02	G 1/4
ISD-03	G 3/8
ISD-04	G 1/2
ISD-06	G 3/4
ISD-08	G 1

ST - Plastik Susturucu / Plastic Silencer

Ölçü Tablosu / Dimension Chart

MODEL	Bağlantı Dişi (G) Thread (BSPP)
BESL-01	G 1/8
BESL-02	G 1/4
BESL-03	G 3/8
BESL-04	G 1/2