

## Döner Bağlantı Elemanları / Rotary Joint

## Teknik Özellikler / Technical Specification

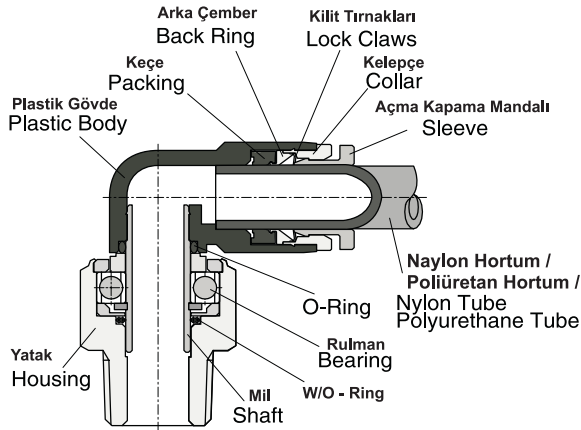
Akışkan / Fluid	Hava ( Diğer gazlar ve sıvılarda kullanılmaz ) / Air ( No other gases or liquids )
Çalışma Basıncı / Operating Pressure	0 ~ 9 bar / 0 ~ 0.9 MPa / 0 ~ 150 Psi
Negatif Basıncı ( Vakum ) / Negative Pressure	- 750 mm Hg / - 99.97 kPa
Sıcaklık / Temperature (C°)	0 ~ 60
Kullanılacak Hortum / Applicable Tube	Poliüretan ve Naylon / Polyurathane and Nylon

## Devir Sayıları / Number of Rotations

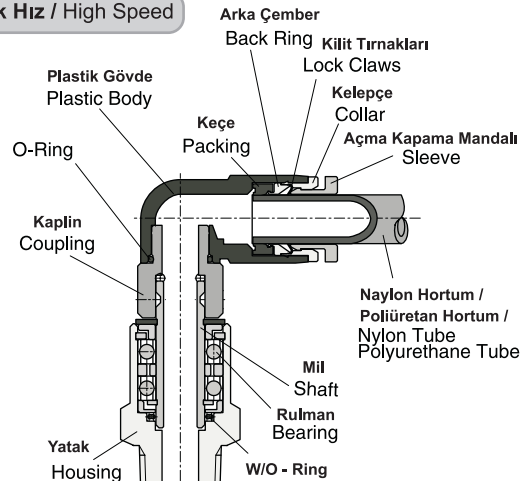
Hortum Çapı / Tube Dia ( ØD )			Ø4	Ø6	Ø8	Ø10	Ø12
Devir / Dak. r.p.m.	Düşük Low	NRC,NRL	500	500	400	300	250
	Yüksek High	NHRC,NHRL	1500	1200	1200	1000	1000

## Yapısal Diyagram / Structural Diagram

## Düşük Hız / Low Speed



## Yüksek Hız / High Speed



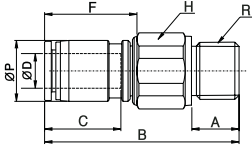
## Sipariş Kodu / Ordering Code

NHRC	06	G01
Tip / Type	Hortum Çapı ( ØD ) / Tube Dia	Diş Ölçüsü ( T ) / Thread Size
Döner Bağlantı Elemanları Rotary Joint	04: Ø4	M5: M5 x 0.8
	06: Ø6	M6: M6 x 1.0
	08: Ø8	G01: 1/8"
	10: Ø10	G02: 1/4"
	12: Ø12	G03: 3/8"

**NRC - Yüksek Hızlı Döner Rekor / High Speed Male Swivel Connector**



**Teknik Çizim / Technical Drawing**



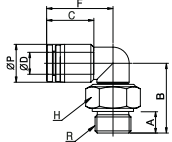
**Ölçü Tablosu / Dimension Chart**

MODEL	ØD	R	F	ØP	C	A	B	H	RPM	Orifis (mm) Orifice (mm)	Ağırlık (g) Weight (g)	Adet/Kutu Qty / Box
NRC 04-01	4	G1/8	17.7	10.4	16	6	33.4	14	500	3	16	100
NRC 06-01	6	G1/8	18.5	12.4	17	6	38.5	14	500	4	16	50
NRC 06-02		G1/4	20.2	12.4	17	8	38.5	17	500	4	20.5	50
NRC 08-01	8	G1/8	20.2	14.4	18.5	6	43.6	17	400	6	29	50
NRC 08-02		G1/4	20.2	14.4	18.5	8	45.6	17	400	6	29.5	50
NRC 08-03		G3/8	22.8	14.4	18.5	10	47.6	21	400	6	37.5	50
NRC 10-03	10	G3/8	29.6	18	21	10	54.1	22	300	7.5	65.7	25
NRC 10-04		G1/2	29.6	18	21	12	55.6	24	300	7.5	75	25
NRC 12-03	12	G3/8	31.5	21.8	22	10	61.5	24	250	9	93	25
NRC 12-04		G1/2	31.5	21.8	22	12	58.5	24	250	9	100.1	25

**NRL- Yüksek Hızlı Döner Dirsek / High Speed Male Swivel Elbow**



**Teknik Çizim / Technical Drawing**



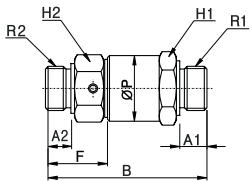
**Ölçü Tablosu / Dimension Chart**

MODEL	ØD	R	F	ØP	C	A	B	H	RPM	Orifis (mm) Orifice (mm)	Ağırlık (g) Weight (g)	Adet/Kutu Qty / Box
NRL 04-01	4	G1/8	20.2	10.4	16	6	22	14	500	3	12.3	100
NRL 06-01	6	G1/8	22.9	12.4	17	6	26.2	14	500	4	17.6	50
NRL 06-02		G1/4	22.9	12.4	17	8	26.2	17	500	4	22.2	50
NRL 08-01	8	G1/8	25.9	14.4	18.5	6	30.6	17	400	6	29	50
NRL 08-02		G1/4	25.9	14.4	18.5	8	32.6	17	400	6	31.7	50
NRL 08-03		G3/8	25.9	14.4	18.5	10	34.6	21	400	6	40.8	50
NRL 10-03	10	G3/8	29.8	17.6	21	10	33.3	22	300	7.5	62.9	25
NRL 10-04		G1/2	29.8	17.6	21	12	34.8	24	300	7.5	73.1	25
NRL 12-03	12	G3/8	32.7	21	22.5	10	40.5	24	250	9	81	25
NRL 12-04		G1/2	32.7	21	22.5	12	37.5	24	250	9	87.6	25

**NHRS - Yüksek Hızlı Döner Nipel / High Speed Male Swivel Nippel**



**Teknik Çizim / Technical Drawing**



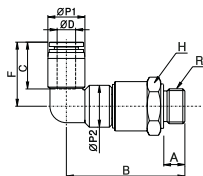
**Ölçü Tablosu / Dimension Chart**

MODEL	R1	R2	F	B	ØP	A1	A2	H1	H2	RPM	Orifis (mm) Orifice (mm)	Ağırlık (g) Weight (g)	Adet/Kutu Qty / Box
NHRS 01-01	G1/8	G1/8	21	49	16.5	8	8	17	14	1200	6	43.7	50
NHRS 01-02	G1/8	G1/4	24	52	16.5	8	11	17	14	1200	6	52	50
NHRS 02-01	G1/4	G1/8	21	52	16.5	11	8	17	14	1200	6	52	50
NHRS 02-02	G1/4	G1/4	24	55	16.5	11	11	17	14	1200	6	55.3	50
NHRS 03-03	G3/8	G3/8	28	63.5	23.5	12	12	24	22	1000	9	120.2	25
NHRS 03-04	G3/8	G1/2	31	66.5	23.5	12	15	24	22	1000	9	135	25
NHRS 04-03	G1/2	G3/8	28	66.5	23.5	15	12	24	22	1000	9	135	25
NHRS 04-04	G1/2	G1/2	31	69.5	23.5	15	15	24	22	1000	9	150	25

**NHRL - Yüksek Hızlı Uzun Döner Dirsek / High Speed Male Long Swivel Elbow**



**Teknik Çizim / Technical Drawing**



**Ölçü Tablosu / Dimension Chart**

MODEL	ØD	R	F	C	B	ØP1	ØP2	A	H	RPM	Orifis (mm) Orifice (mm)	Ağırlık (g) Weight (g)	Adet/Kutu Qty / Box
NHRL 04-01	4	G1/8	20.2	16	35.5	10	11	6	14	1500	3	23	50
NHRL 06-01	6	G1/8	22.9	17	42.2	12.4	14	6	17	1500	4	43.3	50
NHRL 06-02		G1/4	22.9	17	43.2	12.4	14	8	17	1200	4	57.2	50
NHRL 08-01	8	G1/8	25.9	18.5	42.2	14.4	14	6	17	1200	6	45.3	50
NHRL 08-02		G1/4	25.9	18.5	43.2	14.4	14	8	17	1200	6	50.3	50
NHRL 10-03	10	G3/8	29.8	21	53.3	17.6	20	10	24	1000	7.5	105.9	20
NHRL 10-04		G1/2	29.8	21	55.3	17.6	20	12	24	1000	7.5	121.5	20
NHRL 12-03	12	G3/8	33.7	22.5	55	21	20	10	24	1000	9	110.2	20
NHRL 12-04		G1/2	33.7	22.5	57	21	20	12	24	1000	9	125.8	20

## NHRF - Yüksek Hızlı Dişi Döner Nipel / High Speed Female Swivel Nipple



## Ölçü Tablosu / Dimension Chart

MODEL	R	Rc	F	B	ØP	A1	A2	H1	H2	RPM	Orfis (mm) Orifice (mm)	Ağırlık (g) Weight (g)	Adet/Kutu Qty / Box
NHRF 01-01	G1/8	G1/8	21	49	16.5	8	9	17	14	1200	6	48.2	50
NHRF 01-02	G1/8	G1/4	24	52	16.5	8	12	17	17	1200	6	50	50
NHRF 02-01	G1/4	G1/8	21	52	16.5	11	9	17	14	1200	6	60.5	50
NHRF 02-02	G1/4	G1/4	24	55	16.5	11	12	17	17	1200	6	63.6	50
NHRF 03-03	G3/8	G3/8	28	63.5	23.5	12	13	24	22	1000	9	126.8	25
NHRF 03-04	G3/8	G1/2	31	66.5	23.5	12	16	24	24	1000	9	131	25
NHRF 04-03	G1/2	G3/8	28	66.5	23.5	15	13	24	22	1000	9	145	25
NHRF 04-04	G1/2	G1/2	31	69.5	23.5	15	16	24	24	1000	9	150.3	25

## Teknik Çizim / Technical Drawing

