

Toz Pompa Industrial Company



Hydraulic High pressure piston pump manufacturer



List of products of Toz Pompa Industrial Co.

—◆—
Small and large 3-piston radial pumps

—◆—
Small and large 5-piston radial pumps

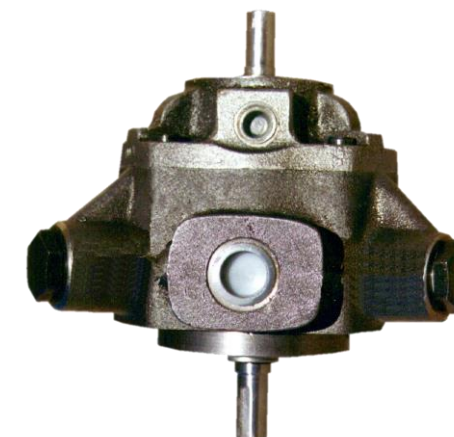
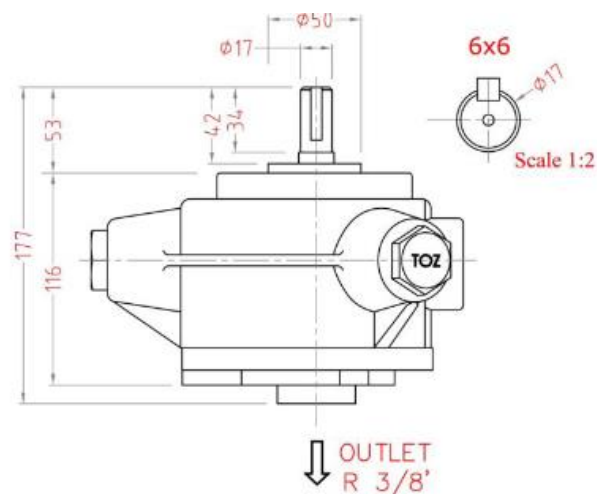
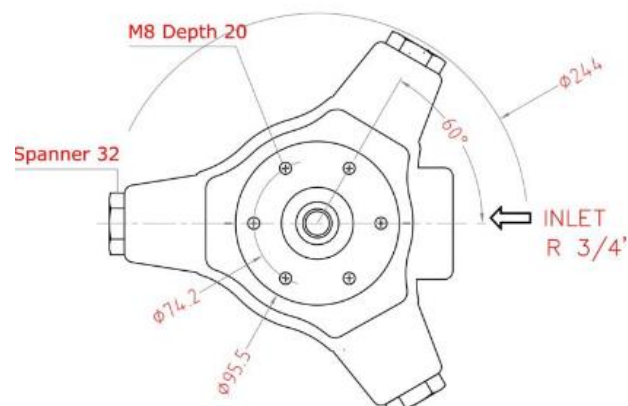
—◆—
Small and large 7-piston radial pumps

—◆—
Double model radial piston pumps

—◆—
Axial piston pumps



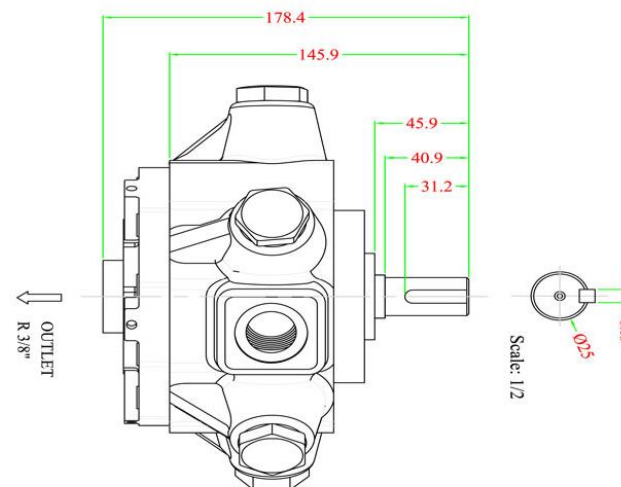
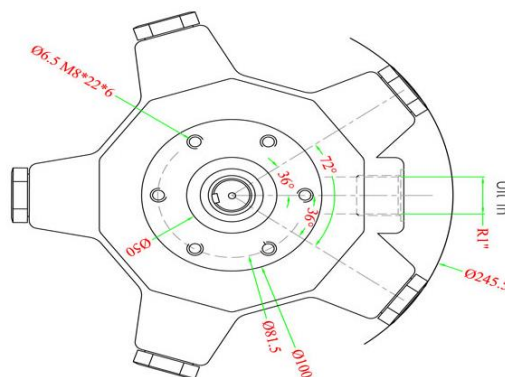
Model	CM3/REV	P.MAX (bar)	Q NOM (l/min)	R.P.M Max	K.W	Shaft size (mm)	Weight (Kg)
PR 7	0.5	600	0.7	1450	0.8	17	12.6
PR 15	1.08	800	1.5	1450	2.3	17	12.6
PR 25	1.8	600	2.5	1450	2.8	17	12.6
PR 50	3.6	600	5.0	1450	5.7	17	12.6
PR 75	5.4	600	7.5	1450	8.6	17	12.6



Coupleable model



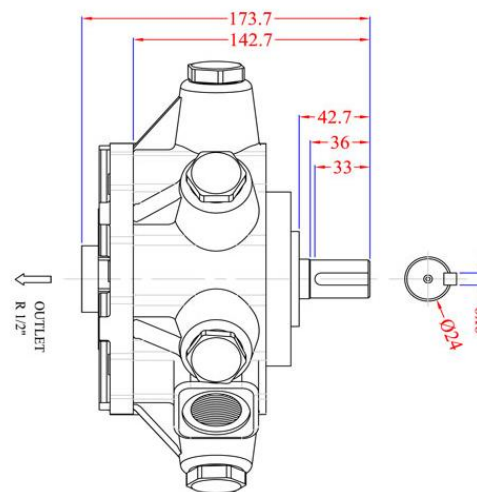
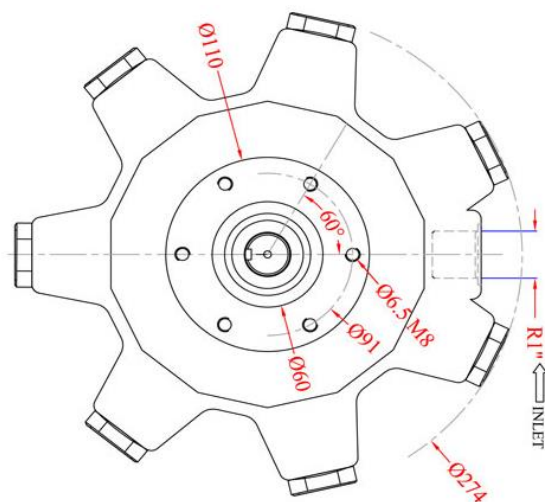
Model	CM3/REV	P.MAX (bar)	Q NOM (l/min)	R.P.M Max	K.W	Shaft size (mm)	Weight (Kg)
PR 100	7.0	500	10	1450	9	22	15
PR 130	9.0	500	13	1450	12	22	15
PR 160	11.0	450	16	1450	14	22	15



Coupleable model



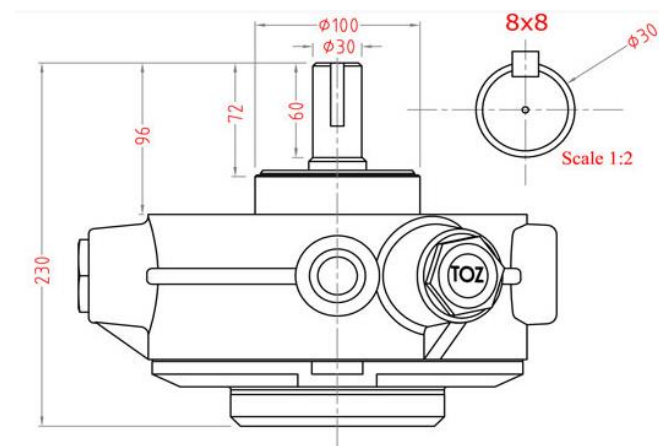
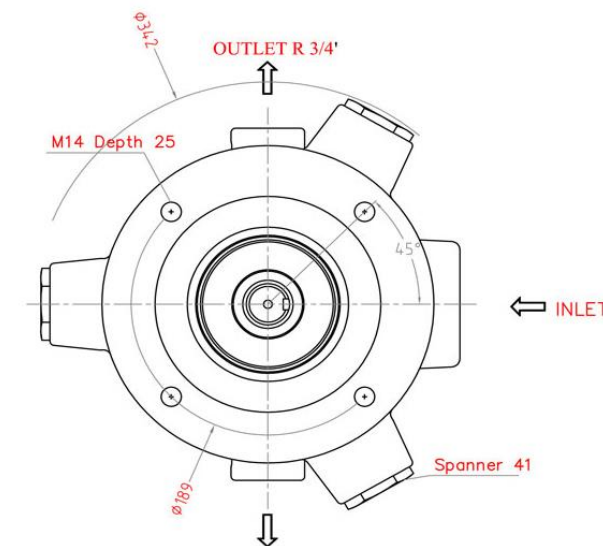
Model	CM3/REV	P.MAX (bar)	Q NOM (l/min)	R.P.M Max	K.W	Shaft size (mm)	Weight (Kg)
PR 210	14.5	450	21	1450	18	24	20
PR 270	19.0	450	27	1450	24	24	20
PR 320	22.2	450	32	1450	28	24	20



Coupleable model



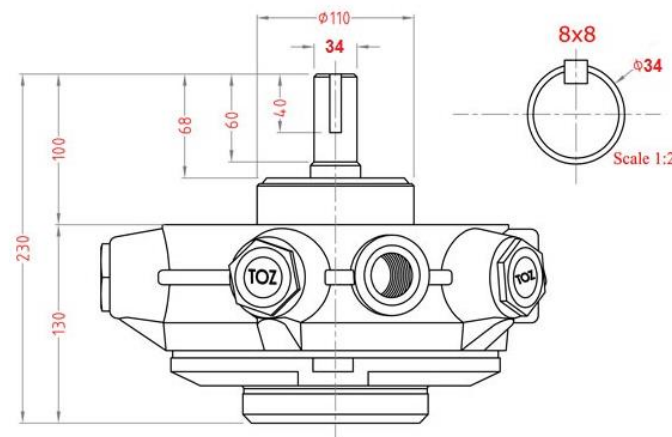
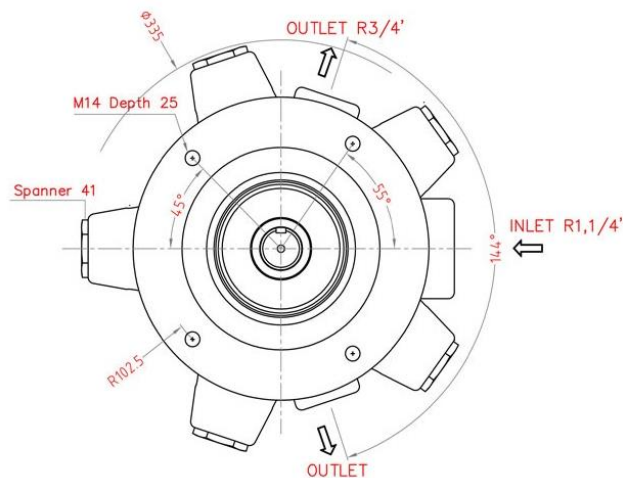
Model	CM3/REV	P.MAX (bar)	Q NOM (1/min)	R.P.M Max	K.W	Shaft size (mm)	Weight (Kg)
PR 305	6.89	400	10	1450	7.5	30	35
PR 308	11.72	400	17	1450	13	30	35
PR 310	14.48	400	21	1450	16	30	35



Coupleable model



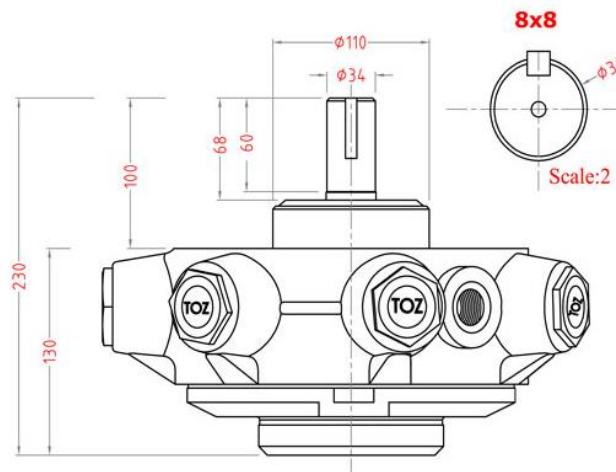
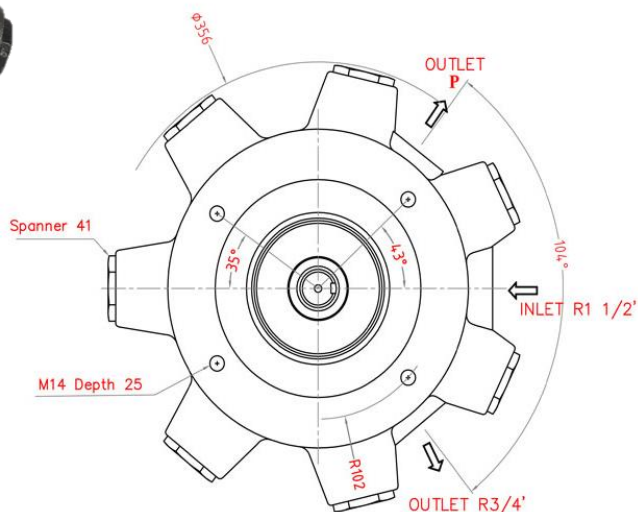
Model	CM3/REV	P.MAX (bar)	Q NOM (l/min)	R.P.M Max	K.W	Shaft size (mm)	Weight (Kg)
PR 508	19.32	350	28	1450	18	34	40
PR 510	24.14	350	35	1450	23	34	40
PR 512	29.00	350	42	1450	28	34	40
PR 514	33.10	350	48	1450	32	34	40



Coupleable model



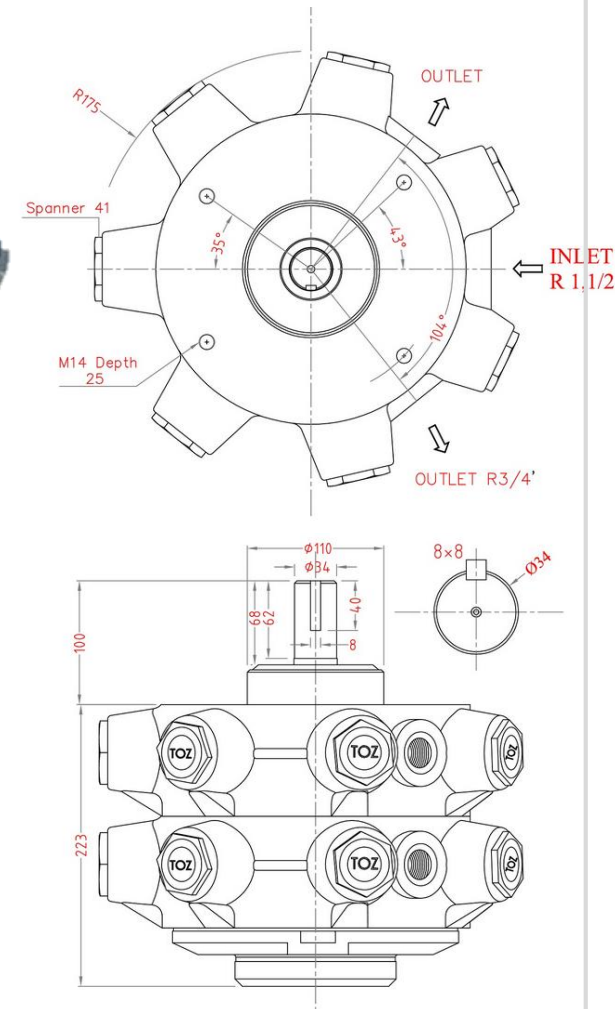
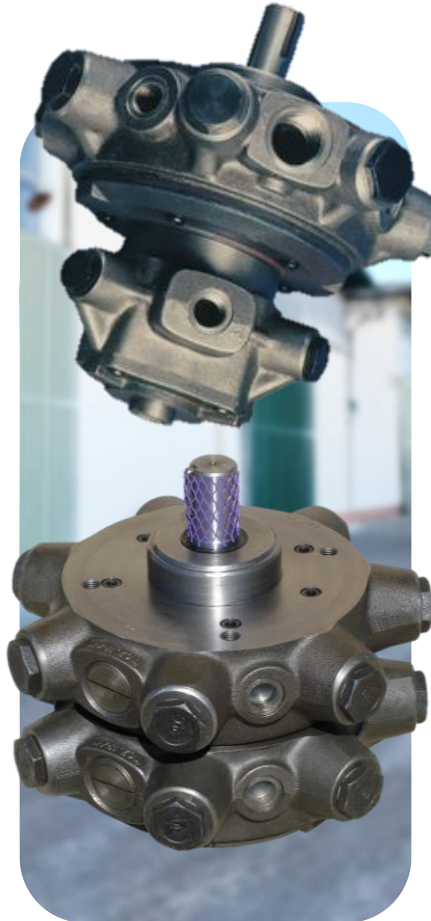
Model	CM3/REV	P.MAX (bar)	Q NOM (l/min)	R.P.M Max	K.W	Shaft size (mm)	Weight (Kg)
PR 712	41.40	350	60	1450	40	34	44
PR 714	48.27	350	70	1450	47	34	44
PR 714EX	60	250	87	1450	41.8	34	44



Coupleable model

Operation guide

1. The hydraulic oil level should always be higher than the pump level.
2. Before connecting the pressure pipe to the system, start the pump for a few moments so that the air inside the pump is completely drained.
3. The pump shaft can rotate in two directions (left and right).
4. A suitable filter should be installed in the oil return circuit to the tank with a hole of 20 microns and cleaned every 500 working hours.
5. A suitable filter with a 125 micron hole should be installed at the head of the suction pipe inside the tank and cleaned every 500 working hours.
6. Install the air filter on the tank lid and clean it every 200 working hours.
7. The tank lid should be completely sealed to prevent the penetration of dust and pollution.
8. The inside diameter of the oil suction pipe should be one size larger than the diameter of the pump inlet.
9. If you see any kind of vibration and unusual sound in the pump, stop working.
10. Type of oil: use hydraulic oil with an average temperature of 55 degrees.
11. Use an independent pipe for each floor in double oil suction pipe pumps.



These pumps consist of two pumps; According to the table, the next two pages are the consumer's needs
And they are available in two simple and coupleable models (two shafts).



Small brigade

Model	CM3/REV	P.MAX (bar)	Q NOM (l/min)	R.P.M Max	K.W	Shaft size (mm)	Weight (Kg)
PR 15	1.08	800	1.5	1450	2.3	17	12.6
PR 25	1.8	600	2.5	1450	2.8	17	12.6
PR 50	3.6	600	5	1450	5.7	17	12.6
PR 75	5.4	600	7.5	1450	8.6	17	12.6
PR 100	7	500	10	1450	9	22	15
PR 130	9	500	13	1450	12	22	15
PR 160	11	450	16	1450	14	22	15
PR 230	14.5	450	21	1450	18	24	20
PR 270	19.0	450	27	1450	24	24	20
PR 320	22.2	450	32	1450	28	24	20

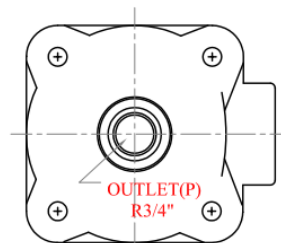
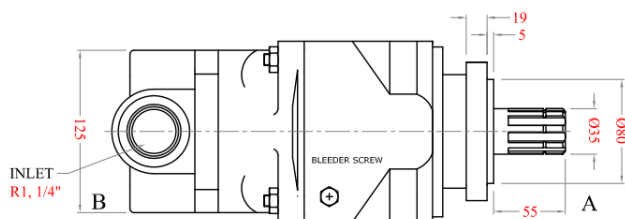


Large brigade

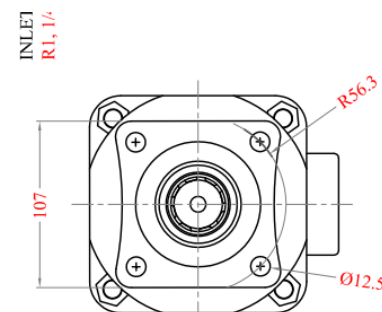
Model	CM3/REV	P.MAX (bar)	Q NOM (l/min)	R.P.M Max	K.W	Shaft size (mm)	Weight (Kg)
PR 305	6.89	400	10	1450	7.5	30	35
PR 308	11.72	400	17	1450	13	30	35
PR 310	14.48	400	21	1450	16	30	35
PR508	19.32	350	28	1450	18	30	40
PR 510	24.14	350	35	1450	23	30	40
PR 512	29.00	350	42	1450	28	30	40
PR 514	33.10	350	48	1450	32	30	40
PR 712	41.4	350	60	1450	40	34	44
PR 714	48.27	350	70	1450	47	34	44
PR 714Ex	60	250	87	1450	41.8	34	44



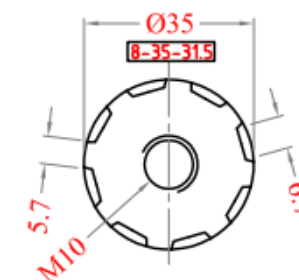
Model	CM3/REV	P.MAX (bar)	Q NOM (l/min)	R.P.M Max	K.W	Shaft size (mm)	Weight (Kg)
AHP 195	32	300	32	1000	18.4	35	24
AHP 205	36	300	36	1000	20	35	24
AHP 197	45.22	300	45	1000	26	35	24
AHP 207	50	250	50	1000	24	35	24
AHP 199	58	250	58	1000	28	35	24
AHP 209	64	250	64	1000	30	35	24
AHP 229	79	250	79	1000	38	35	24



VIEW-B



VIEW-A





Hydraulic equipment manufacturer

Phone:

+1-858-888-6077

Amin Mousavi



Tozcompany



bekirogluhidrolik.com.tr/urunler/tozcompany



Infousa@bekirogluhidrolik.com.tr