



### 9 PISTON PUMP A TYPE

9 PİSTONLU POMPA A TİPİ

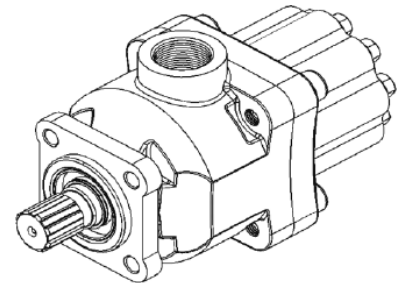
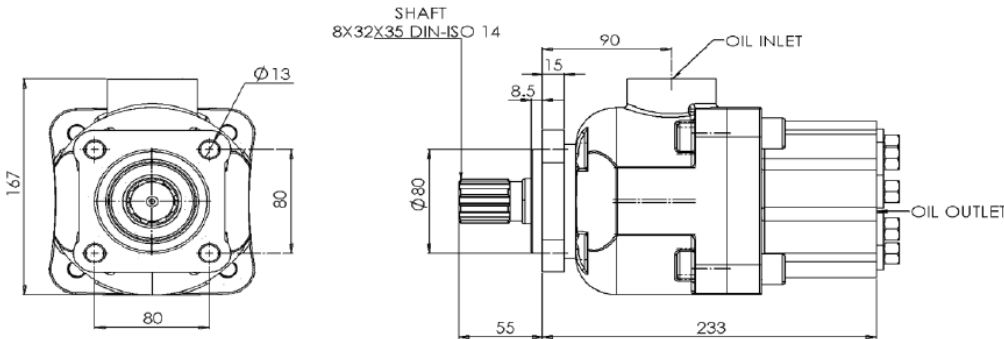
PPA series  
PPA60  
PPA80

Displacements 60 cm<sup>3</sup>/rev and 80 cm<sup>3</sup>/rev available in  
9 Piston Pump A Type.

ROTATION: Bidirectional

## TECHNICAL DATAS AND SPECIFICATIONS / TEKNİK BİLGİLER VE ÖZELLİKLER

PUMP TYPE POMPA TİPİ	PUMP CODE POMPA KODU	DISPLACEMENT DEBİ cm <sup>3</sup> /rev	BASINÇ PRESSURE Bar / Psi		MAX SPEED MAX HIZ Min <sup>-1</sup>		WEIGHT AĞIRLIK Kg
			CONTINUOUS	PEAK	CONTINUOUS	PEAK	
PPA 60	720960A	57,8 3,52	220 3190	320 4640	800	1200	20
PPA 80	720980A	77,5 4,73	200 2900	300 4350	800	1200	20
FLUID / AKIŞKAN		Hidrolik mineral yağ ve yanmaya dayanıklı akışkanlar Mineral oil based hydraulic fluids to ISO/DIN and fire resistant fluids					



**9 PISTON PUMP B TYPE**  
9 PİSTONLU POMPA B TİPİ



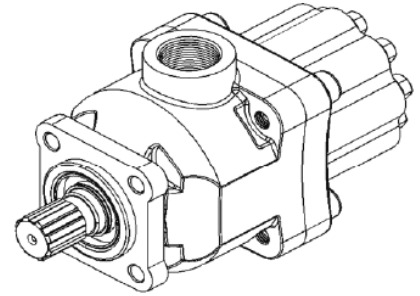
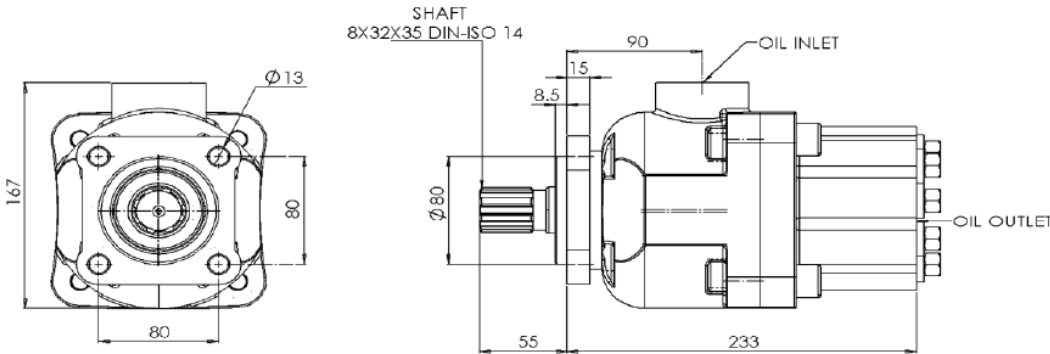
PPA series  
PPB60  
PPB80

Displacements 60 cm<sup>3</sup>/rev and 80 cm<sup>3</sup>/rev available in  
9 Piston Pump B Type.

ROTATION: Bidirectional

**TECHNICAL DATAS AND SPECIFICATIONS / TEKNİK BİLGİLER VE ÖZELLİKLER**

PUMP TYPE POMPA TİPİ	PUMP CODE POMPA KODU	DISPLACEMENT DEBİ cm <sup>3</sup> /rev	BASINÇ PRESSURE		MAX SPEED MAX HIZ		WEIGHT AĞIRLIK Kg
			CONTINIOUS	PEAK	CONTINIOUS	PEAK	
			Bar / Psi		Min <sup>-1</sup>		
PPB 60	720960B	57,8 3,52	220 3190	320 4640	800	1200	20
PPB 80	720980B	77,5 4,73	200 2900	300 4350	800	1200	20
<b>FLUID / AKIŞKAN</b>		Hidrolik mineral yağ ve yanmaya dayanıklı akışkanlar Mineral oil based hydraulic fluids to ISO/DIN and fire resistant fluids					



**6 PISTON PUMP A TYPE**  
6 PİSTONLU POMPA A TİPİ



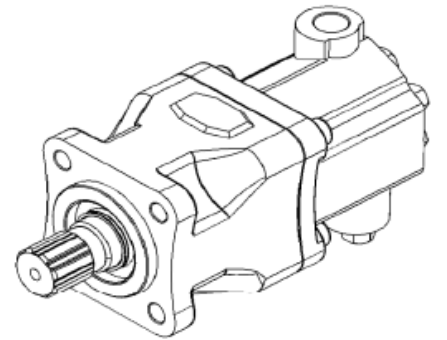
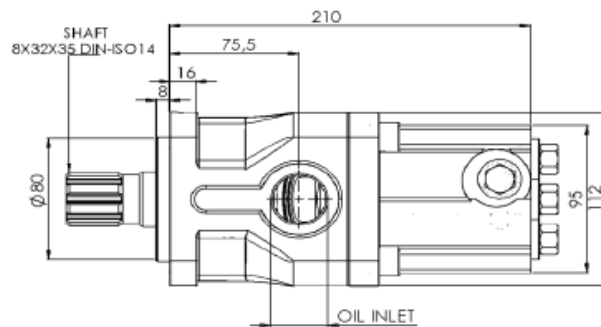
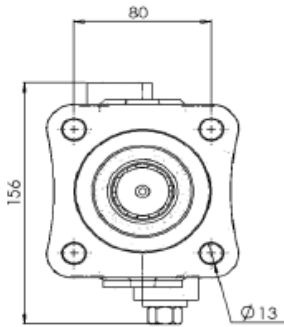
PPA series  
PPA45

Displacement 45 cm<sup>3</sup>/rev in available  
6 Piston Pump A Type.

ROTATION: Bidirectional

**TECHNICAL DATAS AND SPECIFICATIONS / TEKNİK BİLGİLER VE ÖZELLİKLER**

PUMP TYPE POMPA TİPİ	PUMP CODE POMPA KODU	DISPLACEMENT DEBİ	BASINÇ PRESSURE		MAX SPEED MAX HIZ		WEIGHT AĞIRLIK
			CONTINUOUS	PEAK	CONTINUOUS	PEAK	
		cm <sup>3</sup> /rev	Bar / Psi		Min <sup>-1</sup>		Kg
PPA 45	720645A	43,8 2,66	200 2900	300 4350	800	1200	11
<b>FLUID / AKIŞKAN</b>		Hidrolik mineral yağ ve yanmaya dayanıklı akışkanlar Mineral oil based hydraulic fluids to ISO/DIN and fire resistant fluids					



**6 PISTON PUMP B TYPE**  
**6 PİSTONLU POMPA B TİPİ**



PPA series  
PPB45

Displacement 45 cm<sup>3</sup>/rev available in  
6 Piston Pump B Type.

ROTATION: Bidirectional

**TECHNICAL DATAS AND SPECIFICATIONS / TEKNİK BİLGİLER VE ÖZELLİKLER**

PUMP TYPE POMPA TİPİ	PUMP CODE POMPA KODU	DISPLACEMENT DEBİ	BASINÇ PRESSURE		MAX SPEED MAX HIZ		WEIGHT AĞIRLIK
			CONTINUOUS	PEAK	CONTINUOUS	PEAK	
			Bar / Psi		Min <sup>-1</sup>		
PPB 45	720645B	43,8 2,66	200 2900	300 4350	800	1200	11
FLUID / AKIŞKAN		Hidrolik mineral yağ ve yanmaya dayanıklı akışkanlar Mineral oil based hydraulic fluids to ISO/DIN and fire resistant fluids					

