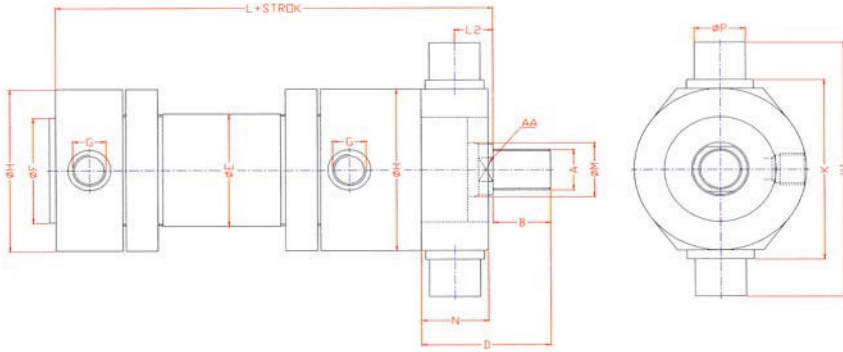
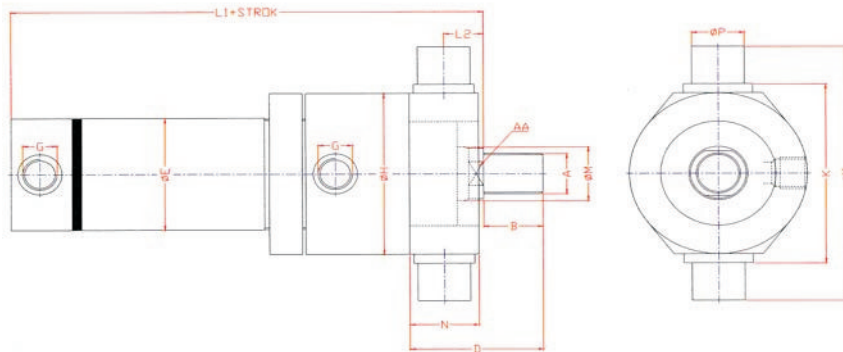


HC01-8 /.... STANDART HİDROLİK SİLİNDİRLER
(Standart hydraulic cylinders)
HC02-8 /.... Стандартный Гидравлический цилиндры
ISO 6020/1 CETOP R58 H Pcal=160 Bar

HC01-8/....



HC02-8/....



PESTON	Ø32	Ø40	Ø50	Ø63	Ø80	Ø100	Ø125	Ø140	Ø160	Ø180	Ø200
M	18 / 22	22 / 28	28 / 36	36 / 45	45 / 56	56 / 70	70 / 80	80 / 90	90 / 100	100 / 110	110 / 120
A	M14x1.5	M16x1.5	M20x1.5	M27x2.0	M33x2.0	M42x2.0	M48x2.0	M56x2.0	M64x3.0	M72x3.0	M80x3.0
	M16x1.5	M20x1.5	M27x2.0	M33x2.0	M42x2.0	M48x2.0	M56x2.0	M64x3.0	M72X3.0	M80x3.0	M85x3.0
AA	14 / 17	17 / 22	22 / 30	30 / 36	36 / 45	45 / 60	60 / 68	68 / 75	75 / 85	85 / 95	95 / 105
B	18 / 22	22 / 28	28 / 36	36 / 45	45 / 56	56 / 63	63 / 75	75 / 85	85 / 90	90 / 95	95 / 100
C	31	35	42	52	63	76	86	100	110	120	125
D	50	54	66	81	99	113	123	140	151	165	170
E	40	50	60	75	95	115	150	165	190	210	245
F	40	50	60	70	85	106	132	145	160	185	200
G	R1/4"	R3/8"	R1/2"	R1/2"	R1/2"	R3/4"	R3/4"	R3/4"	R1"	R1"	R1"
H	68	78	98	108	135	158	186	210	240	255	305
K	75	90	105	120	140	165	195	220	250	275	315
K1	99	122	145	170	204	245	295	332	376	415	475
L	170	190	205	224	250	300	328	360	370	425	450
L1	165	194	212	237	259	300	313	330	350	400	410
L2	47 / 43	47 / 41	56 / 48	66 / 57	80 / 69	88 / 81	98 / 86	220/100	114/109	130/125	135/130
N	30	30	36	42	52	62	76	90	96	110	120
P	16	20	25	30	40	50	63	70	80	90	100
D-N	20	24	39	39	47	51	47	50	55	55	50
N	61-65	65-69	94-103	94-103	115-126	138-156					