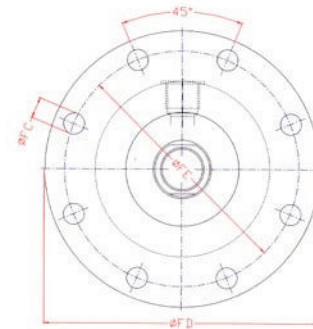
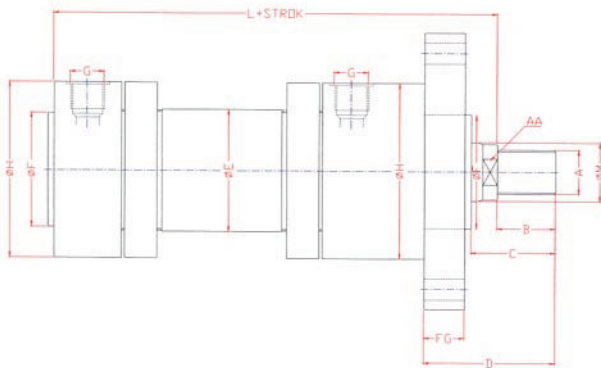
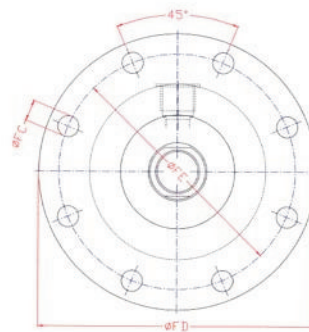
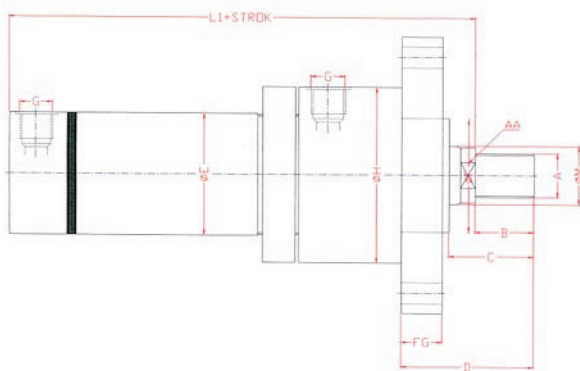


HC01-1 /.... STANDART HİDROLİK SİLİNDİRLER
 (Standart hydraulic cylinders)
HC02-1 /.... Стандартный Гидравлический цилиндры
 ISO 6020/1 CETOP R58 H Pcal=160 Bar

HC01-1 /....



HC02-2 /....



PISTON	Ø32	Ø40	Ø50	Ø63	Ø80	Ø100	Ø125	Ø140	Ø160	Ø180	Ø200
M	18 / 22	22 / 28	28 / 36	36 / 45	45 / 56	56 / 70	70 / 80	80 / 90	90 / 100	100 / 110	110 / 120
A	M14x1.5	M16x1.5	M20x1.5	M27x2.0	M33x2.0	M42x2.0	M48x2.0	M56x2.0	M64x3.0	M72x3.0	M80x3.0
	M16x1.5	M20x1.5	M27x2.0	M33x2.0	M42x2.0	M48x2.0	M56x2.0	M64x3.0	M72x3.0	M80x3.0	M85x3.0
AA	14 / 17	17 / 22	22 / 30	30 / 36	36 / 45	45 / 60	60 / 68	68 / 75	75 / 85	85 / 95	95 / 105
B	18 / 22	22 / 28	28 / 36	36 / 45	45 / 56	56 / 63	63 / 75	75 / 85	85 / 90	90 / 95	95 / 100
C	31/35	35/39	42/50	52/61	63/74	76/94	86/98	100/110	110/115	120/125	125/130
D	50	54	66	81	99	113	123	140	151	165	170
E	40	50	60	75	95	115	150	165	190	210	245
F	40	50	60	70	85	106	132	145	160	185	200
FC	9	9	11	13	17	22	22	R322/4"	22	26	26
FD	110	125	148	170	195	138	272	296	316	265	385
FE	92	106	126	145	165	200	235	260	280	320	340
FG	16	16	20	25	32	32	32	35	36	40	40
G	R1/4"	R3/8"	R1/2"	R1/2"	R1/2"	R3/4"	R3/4"	R3/4"	R1"	R1"	R1"
H	68	78	98	108	135	158	186	210	240	255	305
L	170	190	205	224	250	300	328	360	370	425	450
L1	165	194	212	237	259	300	313	320	350	400	410