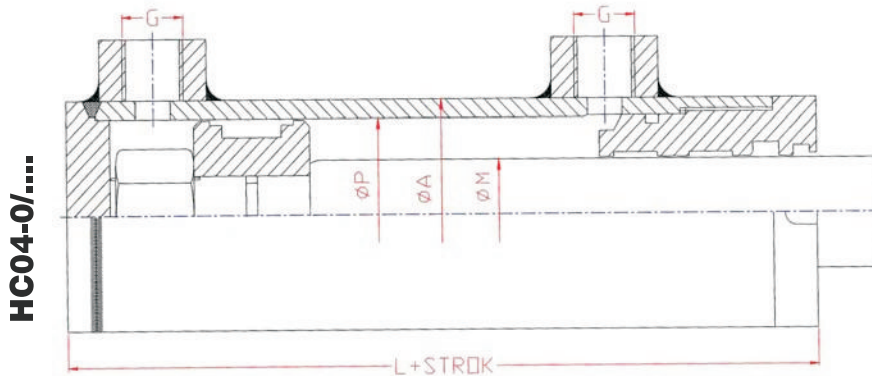
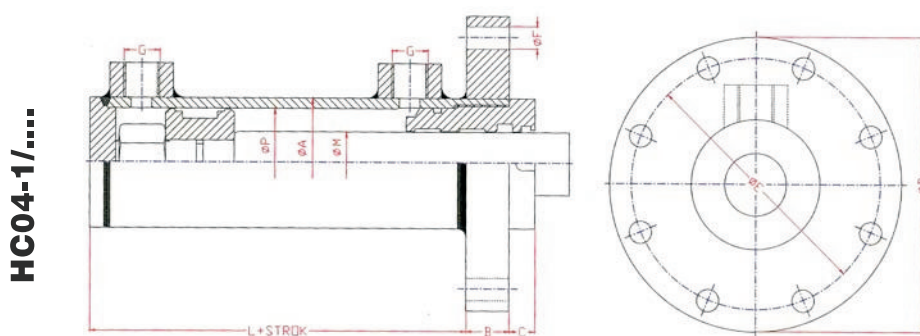


ÇİFT ETKİLİ HİDROLİK SİLİNDİRLER (Double acting hydraulic cylinders)

Двух действенный Гидравлический цилиндры



PİSTON	Ø40	Ø50	Ø63	Ø70	Ø80	Ø90	Ø100	Ø115	Ø125	Ø140	Ø160
M	22/25/28	25/28/30	36/40/45	45/50	40/45/50	50/60	50/60/70	70	60/70	70/90	90/100
A	50	60	75	85	100	110	120	130	150	165	190
G	126	128	159	159	173	176	182	192	199	225	231
L	R 3/8"	R 3/8"	R 1/2"	R 1/2"	R 1/2"	R 1/2"	R 1/2"	R 1/2"	R 3/4"	R 3/4"	R 3/4"



PİSTON	Ø40	Ø50	Ø63	Ø70	Ø80	Ø90	Ø100	Ø115	Ø125	Ø140	Ø160
M	22/25/28	25/28/30	36/40/45	45/50	40/45/50	50/60	50/60/70	70	60/70	70/90	90/100
A	50	60	75	85	100	110	120	130	150	165	190
B	16	20	25	25	25	30	30	30	30	35	35
C	10	10	15	15	16	15	15	17	17	20	20
D	97	110	137	147	155	165	195	210	236	251	266
E	78	88	112	122	125	135	157	172	199	215	230
F	9	9	13	13	17	17	22	22	22	22	22
G	R 3/8"	R 3/8"	R 1/2"	R 1/2"	R 1/2"	R 1/2"	R 1/2"	R 1/2"	R 3/4"	R 3/4"	R 3/4"
L	100	98	119	119	132	131	137	145	152	170	176